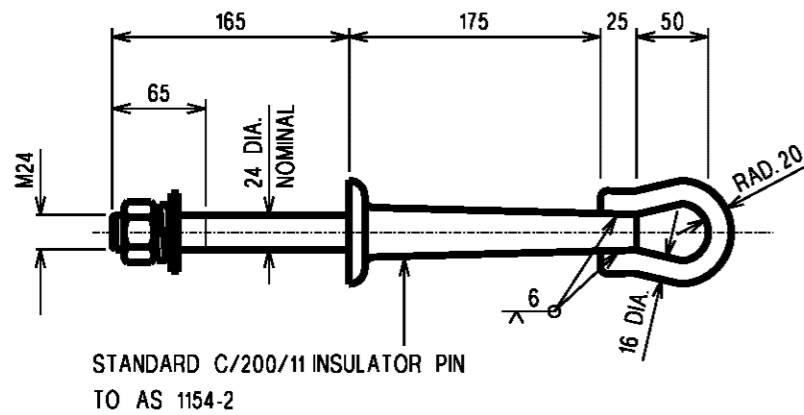


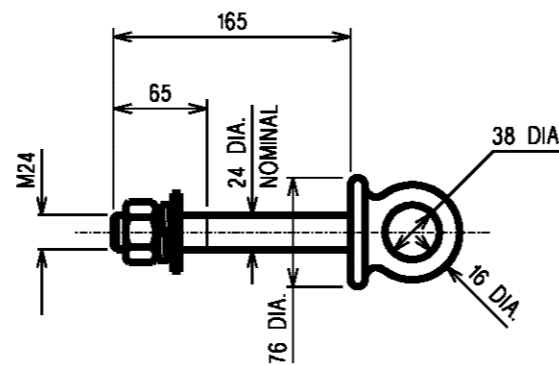
**EXTENSION EYE BOLT C/W GALVANISED NUT & WASHER**

STOCK CODE 400811



**EXTENSION EYE BOLT C/W GALVANISED NUT & WASHER**

STOCK CODE 16121



**EYE BOLT - FORGED C/W GALVANISED NUT & WASHER**

STOCK CODE 16139

**NOTES :**

- DIMENSIONS

UNLESS SPECIFIED OTHERWISE DIMENSIONS ARE TO BE IN ACCORDANCE WITH THE FOLLOWING STANDARDS :

- a. A.S. 1111 ISOMETRIC HEXAGON COMMERCIAL BOLTS & SCREWS
- b. A.S. 1112 ISOMETRIC HEXAGON NUTS (DOUBLE CHAMFERED)
- c. A.S. 1237 FLAT METRIC WASHERS (LARGE SERIES TABLE 4.2)

EACH EYE BOLT IS TO BE SUPPLIED COMPLETE WITH A NUT AND A FLAT WASHER.

- MATERIALS

- a. BOLTS - STEEL GRADE 4.6 TO A.S. 1111
- b. NUTS - STEEL GRADE 5 TO A.S. 1112
- c. WASHERS - MILD STEEL TO A.S. 1237
- d. EYE BOLTS TO BE FORGED FROM HOT ROLLED CARBON STEEL TO A.S. 1442/CS1030 GRADE OR EQUIVALENT THREAD FORM ISOMETRIC COURSE PITCH SERIES 8g TO A.S. 1275

- GALVANISING

BOLTS, NUTS, EYE BOLTS AND WASHERS TO BE HOT DIP GALVANISED. THE MASS AND QUALITY OF THE COATING AND THREAD TOLERANCES TO BE IN ACCORDANCE WITH A.S. 1214

- MINIMUM FAILING LOADS

- a. THE MINIMUM TENSILE FAILING LOAD OF BOLTS, EYE BOLTS TO BE M10-23.2kN ; M16-62.8kN ; M24-141kN
- b. THE MINIMUM PROOF FAILING LOAD OF NUTS TO BE M10-29.0kN ; M16-78.5kN ; M24-177kN
- c. THE MINIMUM CANTILEVER OF BOLTS TO BE :  
 STOCK CODE 16139 = 18kN  
 STOCK CODE 16121 = 11kN  
 STOCK CODE 400811 = 7kN

- TOLERANCE

UNLESS SPECIFIED OTHERWISE, TOLERANCES SHALL BE AS FOLLOWS :

DIMENSIONS UP TO AND INCLUDING 40.0mm = +/- 1mm  
 DIMENSIONS IN EXCESS OF 40.0mm = +/- 3%

1	TITLEBLOCK & DRAWING NUMBER FORMATTED	K.T.	DEC'18	C.C.	C.C.
0	ISSUED FOR CONSTRUCTION. REPLACES DWG. No. S01-01-04-15	A.S.	25.9.02	R.C.	M.B.
NO	DESCRIPTION	DRN	DATE	CKD	APPD
AMENDMENTS					



DES	M. BOCK	POWER STANDARD DRAWING			
DRN	A. SCHMID	LINE HARDWARE/BOLTED CONNECTIONS SUSPENSION CONSTRUCTION - EYEBOLTS FOR UNIVERSAL POLE CONSTRUCTION			
CKD	M. BOCK				
APPD	C. PEMBERTON	A3	DRAWING NUMBER	S01-01-04-45	
SCALE	1:5				
ISSUED	SEPT'02	DRAFTING STANDARD TO A.S.1100			
ALL DIM.	IN mm				

