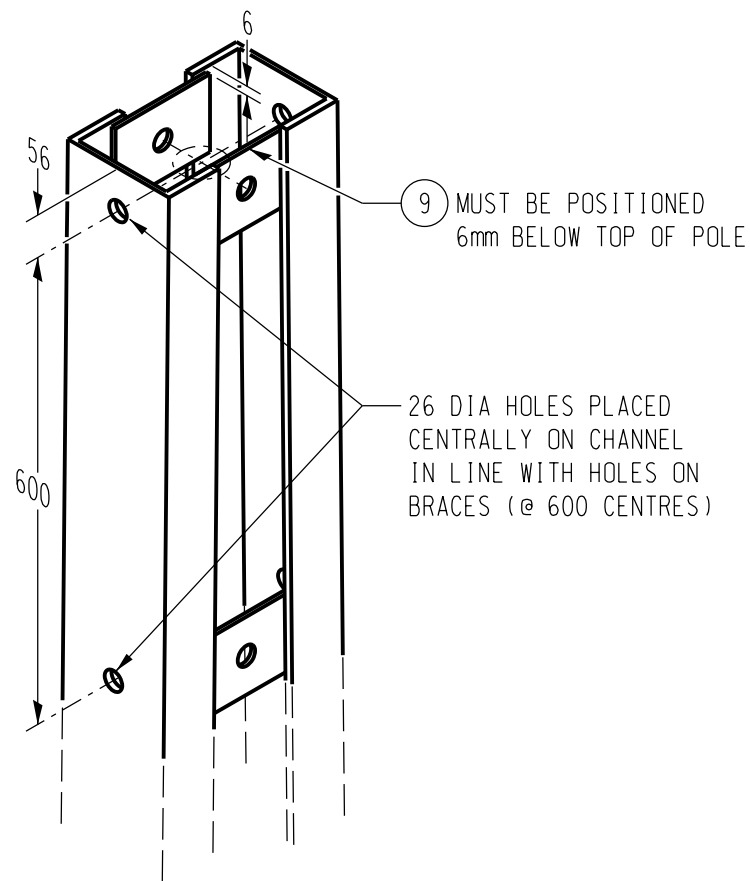


LINE POLE 9B TOTAL MASS 470KG - ITEM NUMBER : 298430
LINE POLE 9B HD GALVANISED - ITEM NUMBER : 501235
LINE POLE 9C TOTAL MASS 560KG - ITEM NUMBER : 299099
LINE POLE 9C HD GALVANISED - ITEM NUMBER : 501236

SCALE 1:40

NOTES:

1. BASE PLATE DOES NOT FORM PART OF THE OVERALL DIMENSION.
2. BRACES AND GROUND PLATE TO BE WELDED ON INSIDE OF POLE AND TO HAVE 26mm MIN OVERLAP. ANTI-CLIMBING PLATE TO BE WELDED ON OUTSIDE OF POLE.
3. ALL WELDS TO BE 6mm FILLET CONTINUOUS WELD EXCEPT ANTI-CLIMBING PLATE WHICH IS TO HAVE 6mm FILLET 150mm LONG AT BOTH ENDS AND CENTRE.
4. ALL ROUGH OR BURRED EDGES ARE TO BE DRESSED CLEAN.
5. STEEL TO BE GRADE 300 PLUS, REFER TO BHP 1999 HOT ROLLED STRUCTURAL STEEL PRODUCTS.
6. PFC DIMENSIONS ARE TO AS 3679.
7. WELDING TO COMPLY WITH AS 1554.
8. TOLERANCES TO DIMENSIONS OVER 5m IS +/- 5mm.
9. EACH POLE IS TO BE ENGRAVED WITH THE SIZE, TARE WEIGHT, FABRICATORS NAME AND MONTH AND YEAR OF FABRICATION.
10. ENGRAVING SHALL BE IN LETTERS NO LESS THAN 10mm HIGH AND 0.05mm DEEP AND POSITIONED ON THE FIRST GUSSET PLATE ABOVE GROUND LEVEL.



ISOMETRIC VIEW
SCALE 1:10

ITEM	QTY	QTY	DESCRIPTION	ITEM NUMBER
12	AR	AR	M12 FLAT WASHER	400832
11	AR	AR	M12x40 BOLT AND NUT ASSEMBLY	503669
10	3	3	14ø PREDRILLED HOLE
9	2	2	140 x 100 x 10 FMS, TOP BRACE 26 DIA DRILLED
8	6	6	220 x 150 x 10 FMS, BRACE 26 DIA DRILLED
7	4	4	260 x 150 x 10 FMS, BRACE 26 DIA DRILLED
6	2	2	300 x 1500 x 6 FMS, ANTI-CLIMBING PLATE
5	6	6	380 x 150 x 6 FMS, BRACES UNDER A/CL PLATE
4	2	2	400 x 300 x 6 FMS, GROUND PLATE
3	2	2	430 x 150 x 6 FMS, FOOTING BRACE
2	1	1	550 x 100 x 6 FMS, BASE PLATE
1	-	2	200 x 75 PFC, 9.0m LONG
			150 x 75 PFC, 9.0m LONG

MATERIAL SCHEDULE

NO	DESCRIPTION	DRN	DATE	CKD	APPD
5	TITLEBLOCK & DRAWING NUMBER FORMATTED, GALVANISED ITEMS ADDED	K.T.	DEC'18	C.C.	C.C.
4	ITEM 10 AMENDED, NOTE 9 AMENDED, 13ø HOLES FOR PADLOCK REMOVED, POLE MASS, ITEM 11 & 12 ADDED	A.T.	MAR'16	I.B.	A.T.
3	13ø HOLES FOR PADLOCK ADDED	K.I.	OCT'05	C.C.	C.C.
2	M12 X 40 LONG GALVANISED BOLTS ITEM 10 ADDED	A.S.	MAY'03	M.B.	M.B.
1	TITLE CHANGED TO 9B & 9C, STOCK CODE ADDED	A.S.	SEP'01	M.B.	F.R.R.
0	ISSUED FOR CONSTRUCTION	A.S.	MAR'01	M.B.	F.R.R.



DES	M. BOCK
DRN	R. INNES
CKD	M. BOCK
APPD	F. ROBSON
SCALE	1:40
ISSUED	MAY '00
ALL DIM. IN mm	

POWER STANDARD DRAWING
POLES
LINE 9B & 9C
BOLTED CONNECTIONS TYPE

A3 DRAWING NUMBER **S01-01-01-07**

DRAFTING STANDARD TO A.S.1100 CAD PRODUCT - DO NOT AMEND MANUALLY

