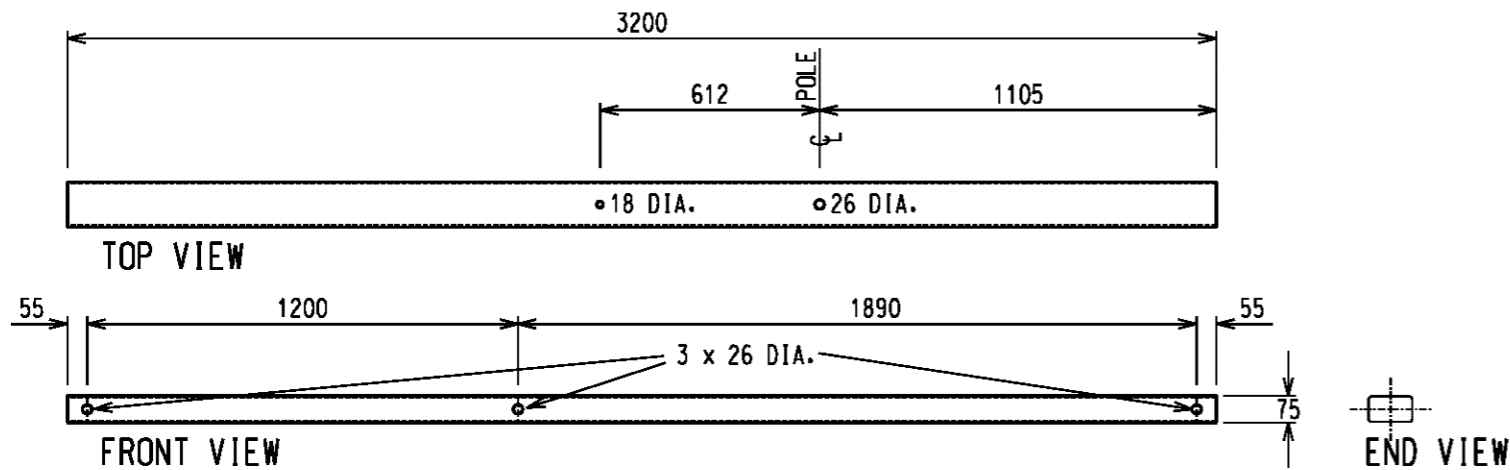


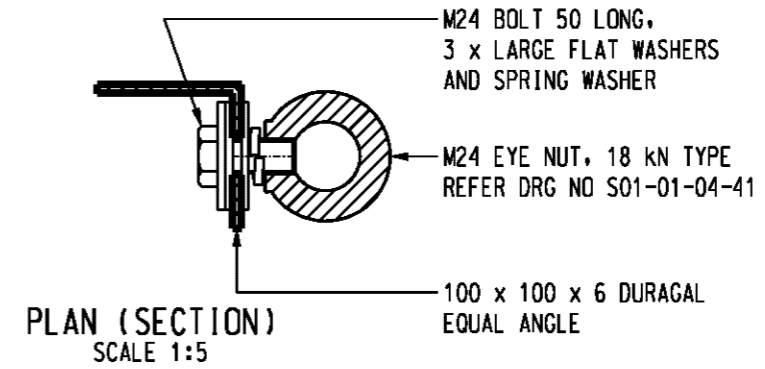
ELEVATION (DEVIATION POLE) 5° - 30°

MATERIAL : 125 x 75 x 4 RHS
 DURAGAL ITEM NUMBER : 400808
 HOT DIPPED GALVANIZED ITEM NUMBER : 411550

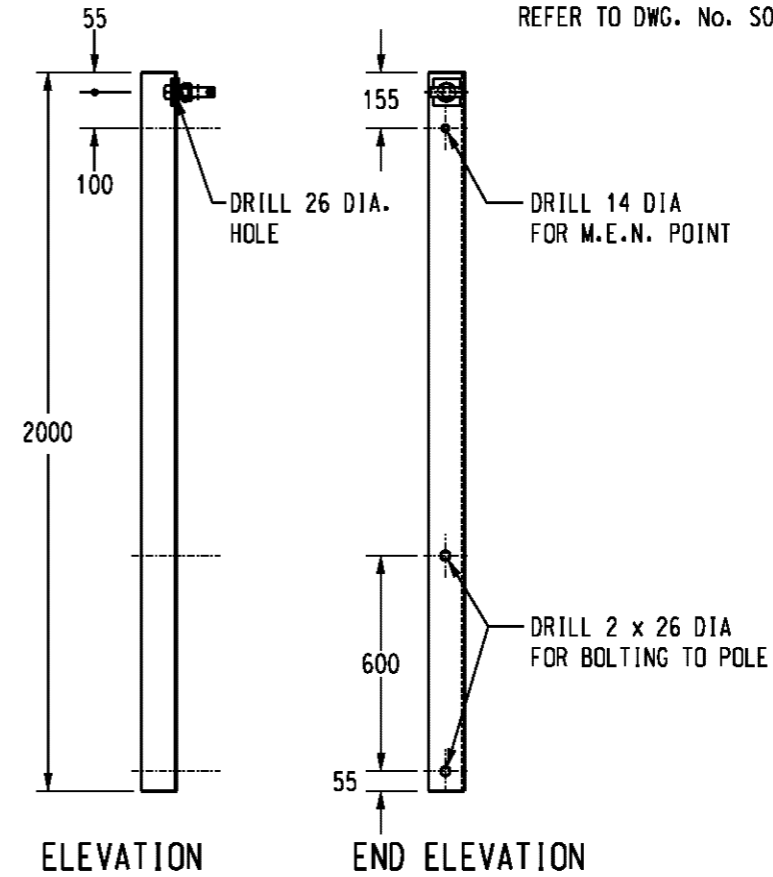


ELEVATION (LINE POLE) 0° - 5°

MATERIAL : 125 x 75 x 4 RHS
 DURAGAL ITEM NUMBER : 400809



NOTE : FOR OVERHEAD EARTH RISER (DEVIATION POLE)
 REFER TO DWG. No. S01-01-02-13/ITEM NUMBER 298646



OVERHEAD EARTH RISER FOR LINE POLE Strength = 1.73kN

MATERIAL : 100 x 100 x 6 EQUAL ANGLE
 HOT DIPPED GALVANIZED ITEM NUMBER : 411549
 DURAGAL ITEM NUMBER : 400810

4	TITLEBLOCK & DRAWING NUMBERS FORMATTED	K.T.	DEC'18	C.C.	C.C.
3	HOT DIPPED GALVANIZED ITEMS ADDED	A.T.	NOV'11	B.C.	S.C.
2	ADD M24 EYE NUT TO EARTH RISER	A.S.	10.8.04	R.C.	M.B.
1	ADD STRENGTH (1.73kN) TO LINE RISER	A.S.	27.1.04	R.C.	M.B.
0	ISSUED FOR CONSTRUCTION	A.S.	16.9.02	M.B.	M.B.
NO	DESCRIPTION	DRN	DATE	CKD	APPD
AMENDMENTS					



DES	M. BOCK	POWER STANDARD DRAWING			
DRN	A. SCHMID	CROSSARMS, HV/SUSPENSION CONSTRUCTION BOLTED CONNECTIONS FOR UNIVERSAL POLE CONSTRUCTION			
CKD	M. BOCK				
APPD	M. BOCK	A3 DRAWING NUMBER S01-01-02-15			
SCALE	1:20				
ISSUED	SEPT'02	4			
ALL DIM.	IN mm				
DRAFTING STANDARD TO A.S.1100		CAD PRODUCT - DO NOT AMEND MANUALLY			