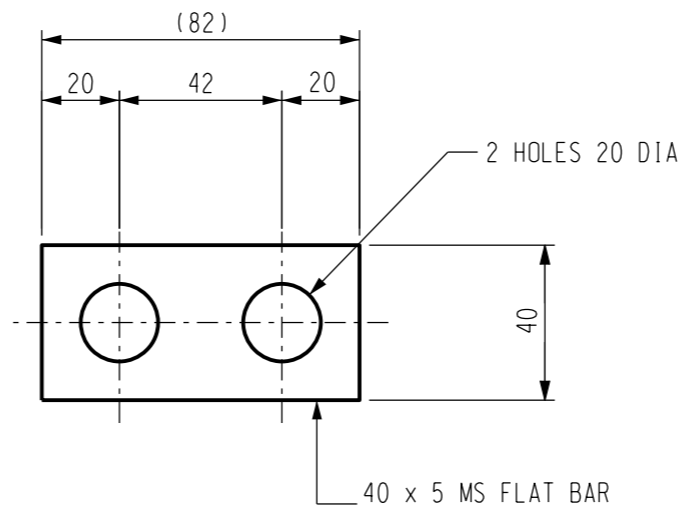
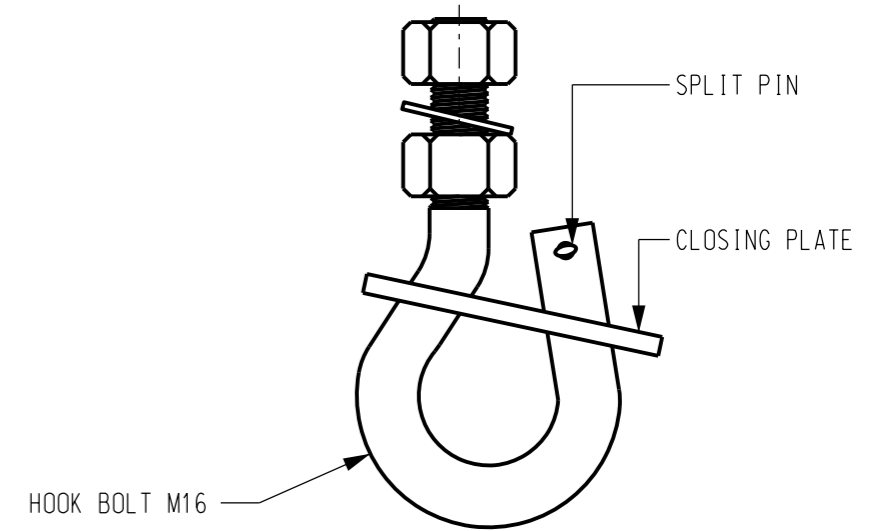


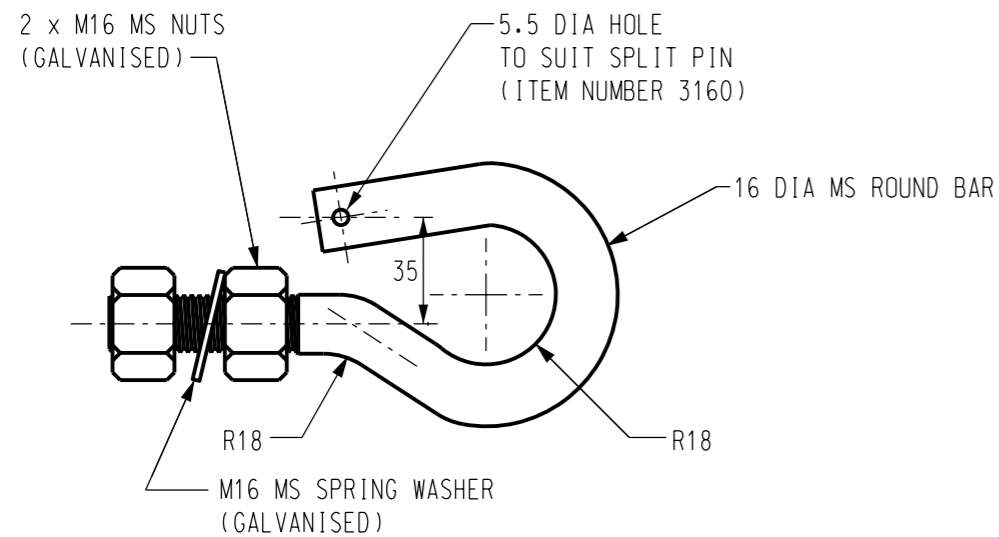
PLAN



ITEM 2 - CLOSING PLATE
(ITEM NUMBER - 213876)



HOOK BOLT M16 NON-BREAKAWAY ASSEMBLY



ELEVATION

ITEM 1 - HOOK BOLT M16
(ITEM NUMBER - 197731)



ITEM 3 - SPLIT PIN
(ITEM NUMBER - 3160)

NOTES

1. ALL WORKMANSHIP AND MATERIALS SHALL BE IN ACCORDANCE WITH AS3678 & AS3679.
2. ALL ROUGH OR BURRED EDGES ARE TO BE DRESSED CLEAN.
3. BOLTS TO BE METRIC, PROPERTY CLASS 4.6 AND SHALL BE IN ACCORDANCE WITH AS1111.
4. CORROSION PROTECTION TO BE HOT DIPPED GALVANISING, WHEREBY COMPONENTS ARE TO BE EVEN AND FREE OF LUMPS AND BUILD-UP AND TRUE TO SHAPE AFTER GALVANISING. COMPONENTS WILL BE TESTED IN ACCORDANCE WITH AS1650.
5. FOR ITEM 3 - SPLIT PIN, REFER TO STD DRG S01-01-04-02

NO	DESCRIPTION	DRN	DATE	CKD	APPD
3	TITLEBLOCK & DRAWING NUMBER UPDATE	C.C.	AUG'19	M.S.	C.C.
2	ITEM 1 : STOCK CODE CORRECTED	A.S.	JAN'06	-	C.C.
1	REDRAWN ON CAD	BJH	JUN'98	-	F.R.R.
AMENDMENTS					



DES	-	POWER STANDARD DRAWING	
DRN	g.mck/H.T.	LINE H-RDW-RE LV - -BC HOOK BOLT, CLOSING PL-TE & SPLIT PIN	
CKD	G.Schubert		
APPD	B.T.KENT		
SCALE	1:2	A3	DRAWING NUMBER S4-01-02-07
ISSUED	SEPT'89		
ALL DIM.	IN mm	DRAFTING STANDARD TO A.S.1100 CAD PRODUCT — DO NOT AMEND MANUALLY	

