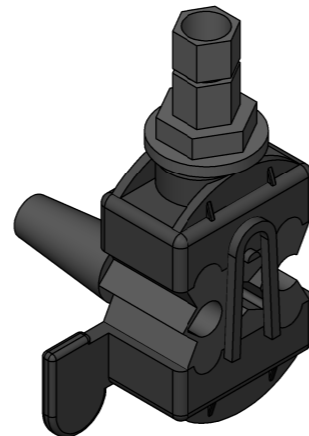


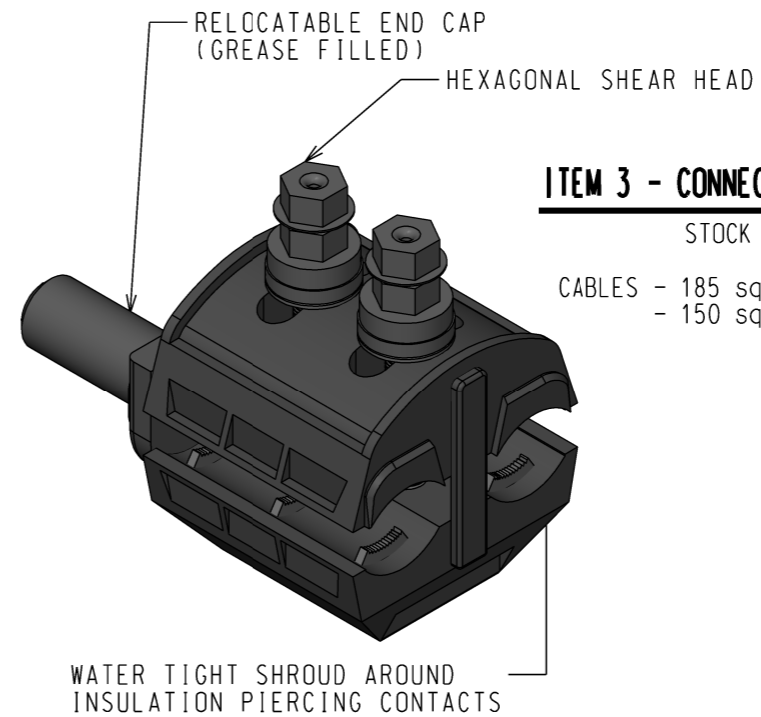
ITEM 1 - CONNECTOR PIERCING 95/6

STOCK CODE 198382
 CABLES - 95 sq.mm / 16 sq.mm MAIN
 - 6 sq.mm / 1.5 sq.mm TAP



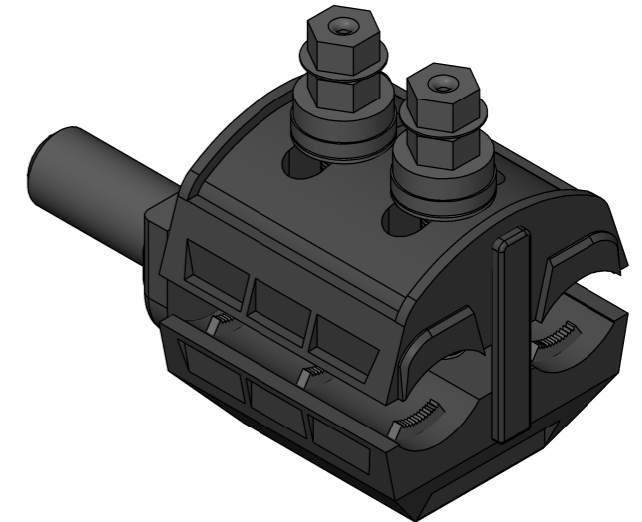
ITEM 2 - CONNECTOR PIERCING 150/35

STOCK CODE 415586
 CABLES - 150 sq.mm / 50 sq.mm MAIN
 - 35 sq.mm / 6 sq.mm TAP



ITEM 3 - CONNECTOR PIERCING 185/150

STOCK CODE 415587
 CABLES - 185 sq.mm / 50 sq.mm MAIN
 - 150 sq.mm / 50 sq.mm TAP



ITEM 4 - CONNECTOR PIERCING 95-240 BARE/95-150 ABC

STOCK CODE 415588
 CABLES - 240 sq.mm / 95 sq.mm BARE ALUMINIUM MAIN
 - 150 sq.mm / 95 sq.mm INSULATED TAP

NOTES :

- CONNECTORS ARE TO BE SUPPLIED WITH A GREASE FILLED END CAP TO SEAL THE END OF THE TAP CONDUCTOR.
- ALL BOLTS TO BE SUPPLIED WITH HEXAGONAL SHEAR HEADS. SHEAR HEADS SHALL HAVE EITHER SHEAR OFF INDICATOR TAGS OR STAGGERED HEADS E.G. 13mm AND 17mm A/F.
- THE INTEGRITY OF THE SYSTEM INSULATION MUST BE MAINTAINED DURING AND AFTER INSTALLATION.
- ALL INSULATION PIERCING CONNECTORS SHALL COMPLY WITH AS 4396.

								DES H.T. POWER STANDARD DRAWING DRN J.C. LINE HARDWARE CKD G.S. LV - ABC APPD B.KENT CONNECTORS SCALE N.T.S. PIERCING	
3	RESIZED FOR 150SQMM ABC	A.T.	MAR'12	B.C.	S.C.	A3	DRAWING NUMBER	S04-1-2-15	
2	NOTE 4 ADDED REDRAWN IN 3D	J.C.	MAR'09	A.T.	S.C.				
NO	DESCRIPTION	DRN	DATE	CKD	APPD	DRAFTING STANDARD TO A.S.1100		CAD PRODUCT - DO NOT AMEND MANUALLY	
AMENDMENTS									